

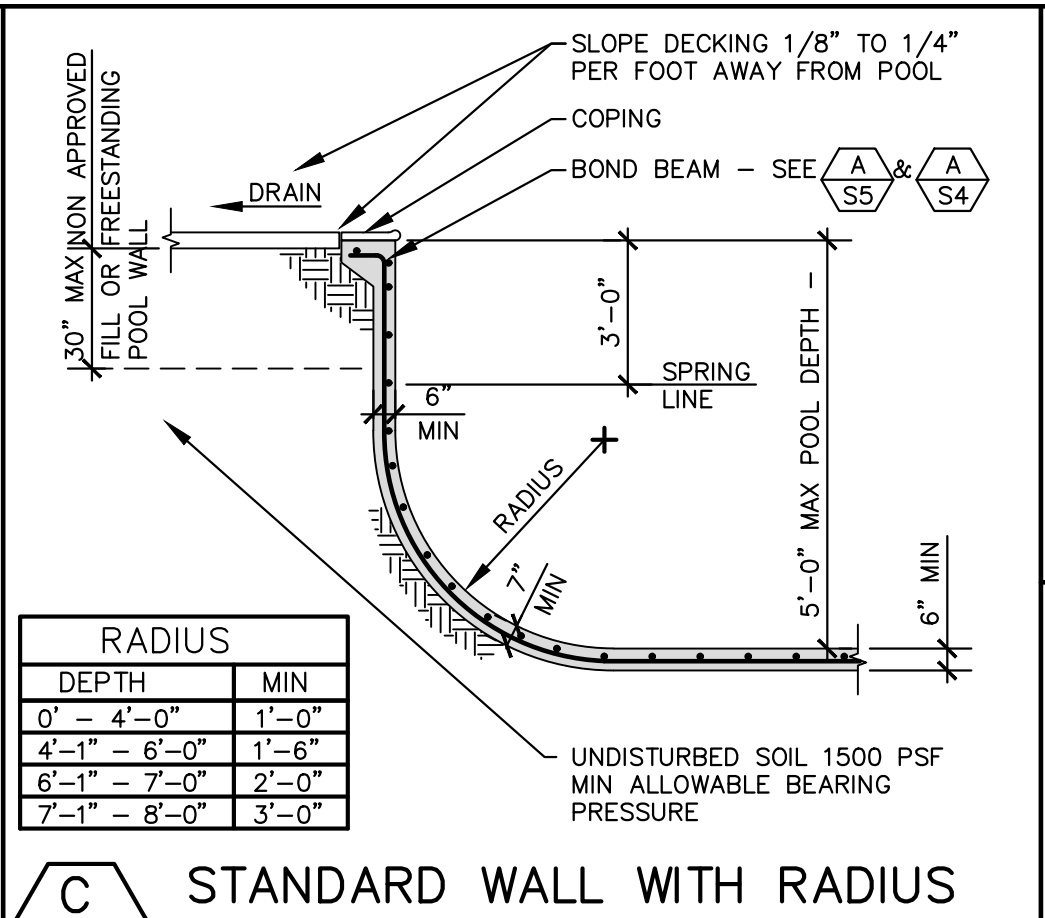
**BLD2023-03013**

This set of plans must be kept on the job at all times and it is unlawful to make any changes or alteration on same without written permission from Building Safety Division, City of Modesto  
 REVIEWED FOR CODE COMPLIANCE  
 fordaz 08/23/2023

This set of plans must be kept on the job at all times and the stamping of this plan shall not be held to permit or to be an approval of the violation of any provisions of any ordinance or law  
 Occupancy of structure not permitted until final approval

**A S1** TYPICAL SECTION THRU POOL

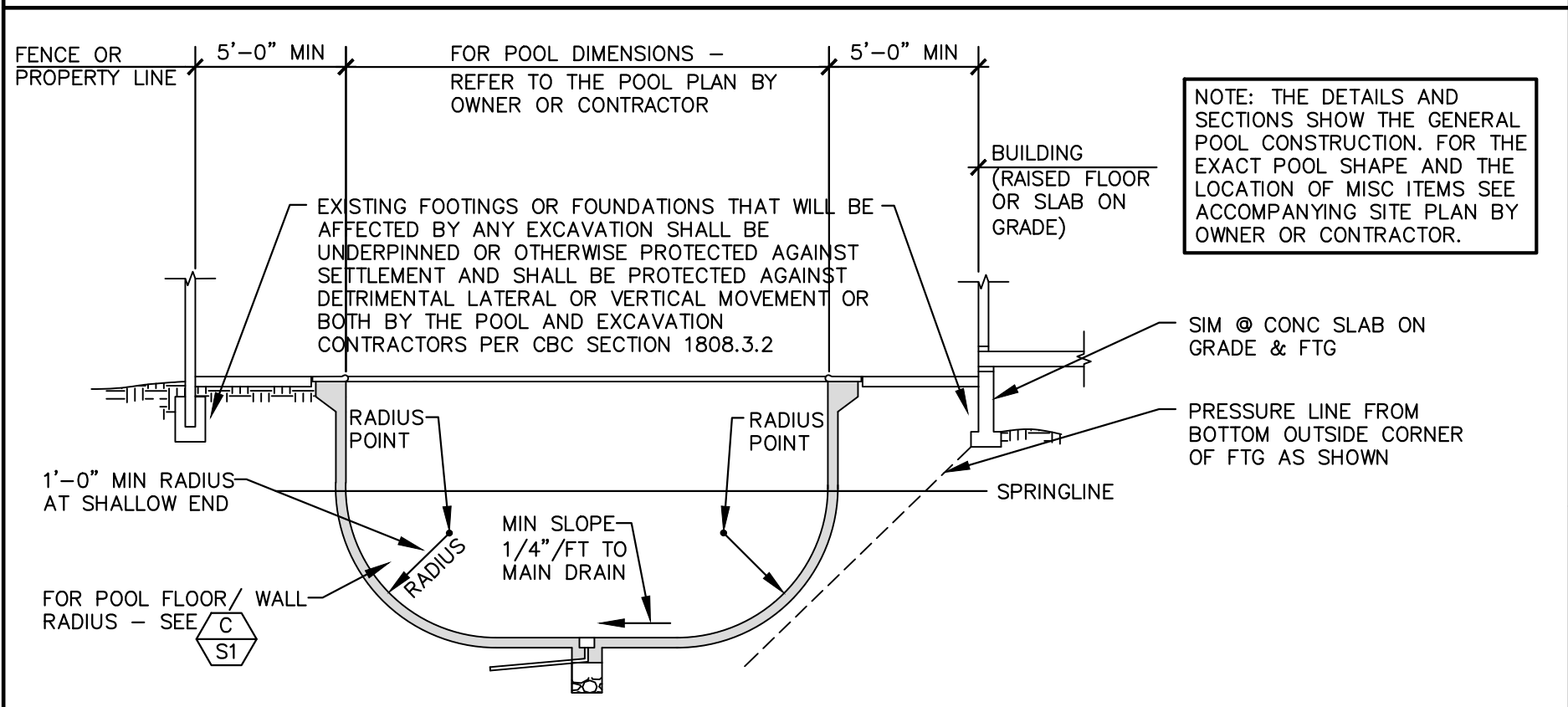
NO SCALE



RADIUS	
DEPTH	MIN
0' - 4'-0"	1'-0"
4'-1" - 6'-0"	1'-6"
6'-1" - 7'-0"	2'-0"
7'-1" - 8'-0"	3'-0"

**C S1** STANDARD WALL WITH RADIUS

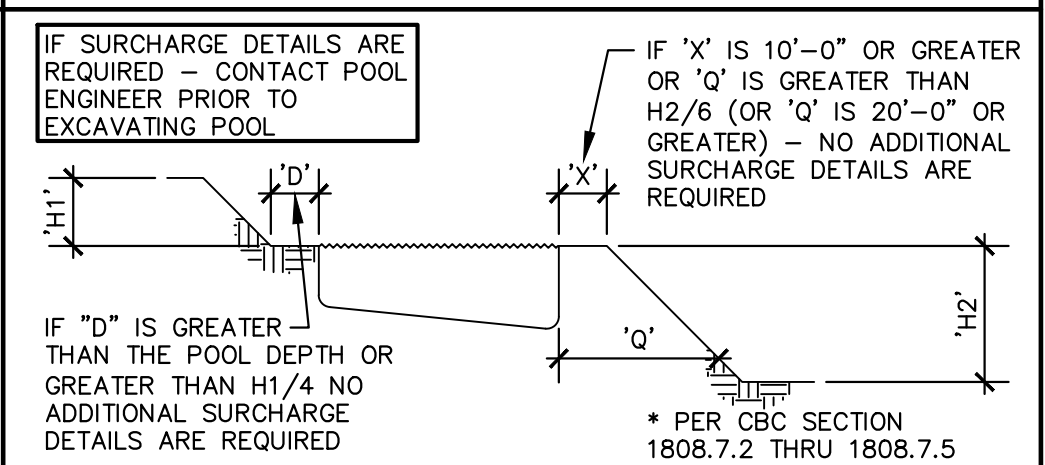
NO SCALE



NOTE: THE DETAILS AND SECTIONS SHOW THE GENERAL POOL CONSTRUCTION. FOR THE EXACT POOL SHAPE AND THE LOCATION OF MISC ITEMS SEE ACCOMPANYING SITE PLAN BY OWNER OR CONTRACTOR.

**B S1** TYPICAL SECTION THRU POOL

NO SCALE



**D S1** MINIMUM DISTANCE TO UPSLOPE OR BLUFF

NO SCALE

**ATTENTION BUILDING OFFICIAL**

THIS DRAWING IS INVALID FOR PERMIT PURPOSES WITHOUT A WET STAMP AND A BLUE SIGNATURE OR IF THE DATE OF THE STAMP IS MORE THAN A YEAR OLD.

AUTHORIZED SIGNATURES:  
 JAMEY D. WYLIE, S.E.  
 NICHOLAS FAHRNEY, S.E.

DocuSigned by:



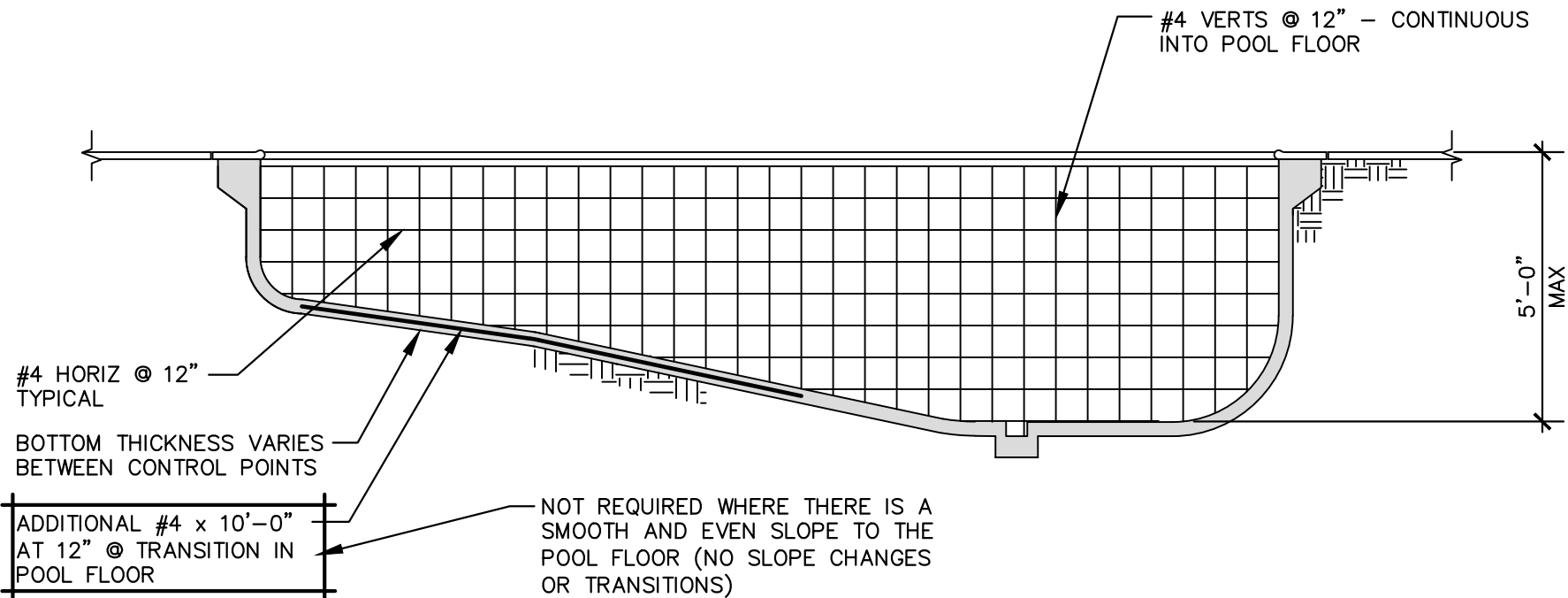
4/6/2023

**PELTON WYLIE + FAHRNEY**  
 ENGINEERING, INC.  
 STRUCTURAL ENGINEERS  
 2813 COFFEE ROAD, SUITE D1  
 MODESTO, CALIFORNIA 95355  
 TEL: (209)575-9619 | WWW.PWF-ENG.COM

**ROBERT KING**  
 22280 LONGWAY RD  
 SONORA, CA

DATE: 1-12-23  
 DRAWN: SS  
 JOB: JFC012-19  
 SHEET

**S1**



FOR TYPICAL POOL SECTION -



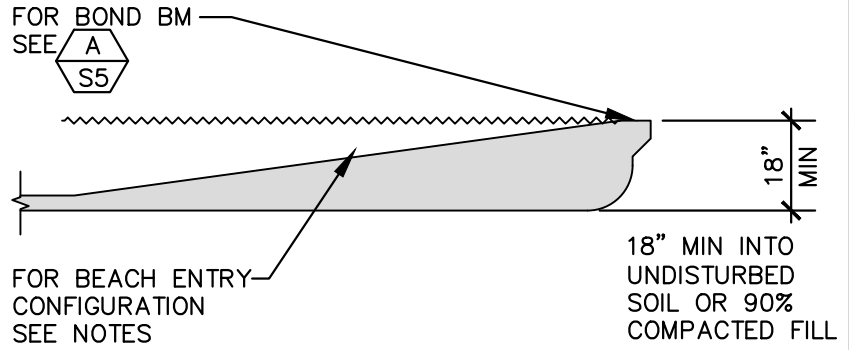
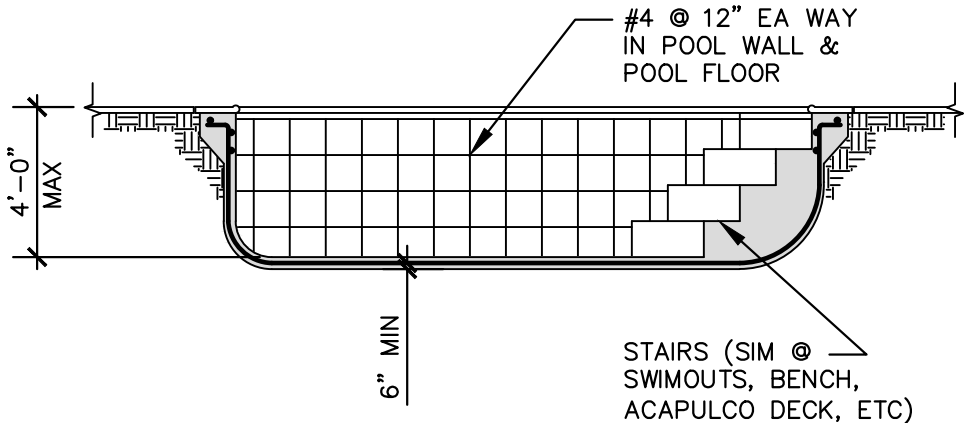
**TYPICAL SECTION THRU POOL**

NO SCALE

- NOTES:
- 1 ALL POOL EQUIPMENT, CONNECTIONS LOCATIONS, ETC. ARE PER THE CONTRACTOR AND ARE NOT PART OF THESE DRAWINGS
  - 2 RESPONSIBILITY FOR ALL POOL MARKINGS @ SAFETY REQUIREMENTS ARE PER THE CONTRACTOR AND ARE NOT PART OF THESE DRAWINGS

**NOTE:**

- 1 SLOPED ENTRIES USED AS POOL ENTRANCE SHALL NOT EXCEED 1 FOOT IN 7 FEET SLOPE.
- 2 ARCHITECTURAL FEATURES SUCH AS BEACH SLOPES ARE NOT REQUIRED TO COMPLY WITH THE 1 FOOT IN 7 FEET SLOPE UNLESS USED AS AN ENTRANCE FEATURE.
- 3 SLOPING ENTRIES ARE PERMITTED TO BE USED IN CONJUNCTION WITH STEPS AND BENCHES.
- 4 BEACH AND SLOPING ENTRY SURFACES SHALL BE OF SLIP-RESISTANT MATERIALS.



**TYPICAL SECTION THRU POOL (SHALLOW END)**

NO SCALE



**SECTION AT BEACH ENTRY**

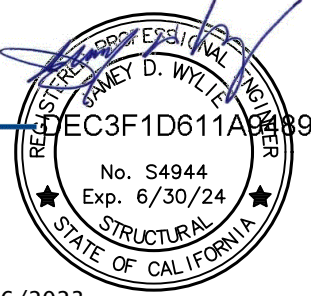
NO SCALE

**ATTENTION BUILDING OFFICIAL**

THIS DRAWING IS INVALID FOR PERMIT PURPOSES WITHOUT A WET STAMP AND A BLUE SIGNATURE OR IF THE DATE OF THE STAMP IS MORE THAN A YEAR OLD.

AUTHORIZED SIGNATURES:  
 JAMEY D. WYLIE, S.E.  
 NICHOLAS FAHRNEY, S.E.

DocuSigned by:



4/6/2023

**PELTON WYLIE+FAHRNEY**  
**ENGINEERING, INC.**  
 STRUCTURAL ENGINEERS  
 2813 COFFEE ROAD, SUITE D1  
 M.D.E.S.T.O., CALIFORNIA 95355  
 TEL: (209)575-9619 | WWW.PWF-ENG.COM

**ROBERT KING**  
 22280 LONGWAY RD  
 SONORA, CA

DATE: 1-12-23  
 DRAWN: SS  
 JOB: JFC012-19  
 SHEET

**S2**

**I GENERAL**

- A ALL WORK SHALL BE PERFORMED IN ACCORDANCE WITH THE 2022 EDITION OF THE CALIFORNIA BUILDING CODE (CBC), 2022 EDITION OF THE CALIFORNIA ELECTRICAL CODE (CEC), 2022 EDITION OF THE CALIFORNIA PLUMBING CODE (CPC), 2022 EDITION OF THE CALIFORNIA MECHANICAL CODE (CMC), 2022 EDITION OF THE CALIFORNIA ENERGY CODE (CEnc), AND 2022 EDITION OF THE CALIFORNIA GREEN BUILDING STANDARDS CODE (CALGREEN), AND THE LATEST ADOPTED EDITION OF ALL OTHER LOCAL CODES AND ORDINANCES THAT ARE APPLICABLE.
- B FOR GENERAL DESIGN CRITERIA – REFER TO THE SECTIONS AND SCHEDULES.
- C THE SECTIONS AND DETAILS SHOW THE GENERAL POOL AND / OR SPA CONSTRUCTION. FOR THE EXACT POOL AND / OR SPA SHAPE, DEPTH AND DISTANCE TO THE PROPERTY LINE, STRUCTURES AND SLOPES – REFER TO THE SITE PLAN BY THE CONTRACTOR OR OWNER (THE SITE PLAN MUST ACCOMPANY THESE STANDARD STRUCTURAL POOL DRAWINGS FOR PERMIT SUBMITTAL). IT IS THE RESPONSIBILITY OF THE OWNER OR CONTRACTOR TO OBTAIN A BUILDING PERMIT.
- D THE POOL LAYOUT AND SITE PLAN ARE THE RESPONSIBILITY OF THE CONTRACTOR OR OWNER. PELTON WYLIE + FAHRNEY ENGINEERING INC HAS NOT BEEN HIRED TO PROVIDE A SITE OBSERVATION OF THE POOL CONSTRUCTION SITE AND THEREFORE MUST RELY ON THE SITE PLAN PROVIDED BY THE CONTRACTOR OR OWNER FOR THE POOL SHAPE AND LOCATION IN RELATION TO THE PROPERTY LINE, STRUCTURES (BUILDING(S) OR FENCE(S)), OR TO SITE SLOPES (SEE D/S1). IF THE ACTUAL CONDITIONS VARY FROM THESE STANDARD POOL STRUCTURAL DRAWINGS, IT IS THE RESPONSIBILITY OF THE CONTRACTOR OR OWNER TO NOTIFY PELTON WYLIE + FAHRNEY ENGINEERING INC AND OBTAIN APPLICABLE SPECIAL ENGINEERING DETAILS PRIOR TO CONSTRUCTION. THE CONTRACTOR IS TO FIELD VERIFY ALL FIELD CONDITIONS AND DIMENSIONS PRIOR TO EXCAVATING FOR THE POOL AND / OR SPA.
- E THESE STRUCTURAL POOL DRAWINGS ARE FOR STRUCTURAL ITEMS ONLY AND DO NOT APPLY TO NON-STRUCTURAL ITEMS SUCH AS: FINISHES, ELECTRICAL, PLUMBING, DECKING, FENCING (INCLUDING MINIMUM REQUIRED POOL ENCLOSURE FENCING OR BARRIERS), POOL EQUIPMENT, HANDRAILS, SIGNS, ETC.
- F DETAILS SHOWN ON THESE DRAWINGS ARE TYPICAL. SIMILAR DETAILS APPLY TO SIMILAR CONDITIONS.
- G THE POOL AND / OR SPA CONSTRUCTION IS THE RESPONSIBILITY OF THE CONTRACTOR. PELTON WYLIE + FAHRNEY ENGINEERING IS NOT RESPONSIBLE FOR METHODS OF CONSTRUCTION OR WORKER SAFETY – THESE ARE THE SOLE RESPONSIBILITY OF THE POOL CONTRACTOR AND / OR THE SUB-CONTRACTOR(S).
- H SIGNS AND SAFETY EQUIPMENT SHALL BE INSTALLED IN ACCORDANCE WITH LOCAL ORDINANCES.
- J DIVING BOARDS ARE THE RESPONSIBILITY OF THE CONTRACTOR AND THE DIVING BOARD MANUFACTURER AND ARE TO BE INSTALLED PER THE REQUIREMENTS AND RECOMMENDATIONS OF THE DIVING BOARD MANUFACTURER AND LOCAL CODES. PELTON WYLIE + FAHRNEY ENGINEERING INC IS NOT RESPONSIBLE FOR ANY DIVING BOARD OR PLATFORM, DIVING BOARD INSTALLATION OR DIVING BOARD USE SAFETY. THE SWIMMING POOL DEPTH, WIDTH, LENGTH, SLOPE AND SHAPE OF THE POOL FLOOR ARE TO BE THE MINIMUM SET BY THE DIVING BOARD MANUFACTURER – USE THE "NET" TEMPLATE PROVIDED BY THE DIVING BOARD MANUFACTURER FOR THE MINIMUM POOL CONFIGURATION.
- K THE DECKING SHOWN IN THESE DRAWINGS IS DIAGRAMMATIC ONLY. FOR DECKING AND DECKING CONSTRUCTION (IF ANY) REFER TO THE SITE PLAN. PELTON WYLIE + FAHRNEY ENGINEERING INC IS NOT RESPONSIBLE FOR THE DESIGN AND/OR DETAILING OF ANY CONCRETE SLABS, WALKS OR DECKING.
- L PUBLIC POOLS REQUIRE COUNTY HEALTH DEPARTMENT APPROVAL AND CODE REQUIRED ASSISTIVE DEVICES FOR THE DISABLED. THESE DEVICES AND APPROVALS ARE RESPONSIBILITY OF THE OWNER OR THE CONTRACTOR.

**II ADDITIONAL NOTES**

- A WHERE SPECIAL INSPECTIONS ARE REQUIRED AND SPECIFIED IN THESE DRAWINGS, THE ITEMS REQUIRING SPECIAL INSPECTION ARE TO BE INSPECTED PER THE REQUIREMENTS OF CBC SECTION 1701 BY A SPECIAL INSPECTOR. THE SPECIAL INSPECTOR IS TO PERFORM THE INSPECTIONS REQUIRED AND PROVIDE A FINAL REPORT TO THE ENGINEER AND THE BUILDING DEPARTMENT.

**III SOIL PREPARATION**

- A THE POOL AND / OR SPA IS TO BE EXCAVATED IN UNIFORM NATIVE SOIL HAVING A MINIMUM ALLOWABLE BEARING PRESSURE OF 1500 PSF.
- B THE CONCRETE POOL AND / OR SPA WALLS ARE TO BE CONSTRUCTED AGAINST UNDISTURBED NATIVE SOIL OR FILL COMPACTED TO 90% RELATIVE COMPACTION.
- C IF UNCOMPACTED FILL SOIL, CUT-FILL TRANSITIONS, NON-UNIFORM SOIL STRATA, ETC. ARE ENCOUNTERED IN THE POOL AND / OR SPA EXCAVATIONS THE POOL AND / OR SPA MAY EXPERIENCE DIFFERENTIAL MOVEMENT, THEREFORE THE ENGINEER IS TO BE NOTIFIED IMMEDIATELY PRIOR TO PLACING REINFORCING STEEL OR CONCRETE.
- D IF ANY LOOSE POCKETS OF SOIL ARE ENCOUNTERED BELOW THE BOTTOM OF THE POOL, THEY ARE TO BE OVER EXCAVATED AND RECOMPACTED TO A MINIMUM OF 90% RELATIVE COMPACTION.
- E FOR THE ACTIVE SOIL PRESSURE (INCLUDING SURCHARGE LOADING WHERE APPLICABLE) REFER TO THE REINFORCING SCHEDULE AND SCHEDULE NOTES.

**IV CONCRETE**

- A GUNITE CONCRETE CONSTRUCTION METHOD SHALL BE USED FOR PLACING CONCRETE AGAINST EXCAVATION. THE GUNITE PLACEMENT OF THE CONCRETE IS TO BE PERFORMED IN ACCORDANCE WITH APPLICABLE SECTIONS OF THE CURRENT CALIFORNIA BUILDING CODE (CBC) AND ACI REQUIREMENTS IN GENERAL AND SPECIFICALLY FOR GUNITE (SHOTCRETE) PLACEMENT.
- B CONCRETE COMPRESSIVE STRENGTH: 2500 PSI (MIN) AT 28 DAYS.
- C REINFORCING: DEFORMED ASTM A615, GRADE 40 FOR #3 AND #4 BARS.
- D LAP SPLICES: #3 --- 16" MINIMUM  
#4 --- 21" MINIMUM
- E COVER TO BARS: 3" CLEAR BETWEEN REINFORCING BARS AND SOIL AND A MINIMUM OF 2" BETWEEN THE REINFORCING BARS AND THE FINISHED CONCRETE SURFACE. PROVIDE 2 1/2" CLEAR BETWEEN PARALLEL BARS.
- F PRIOR TO PLACING THE CONCRETE, THE STRUCTURAL REINFORCING STEEL IS TO BE GROUNDED PER N.E.C.
- G AFTER THE GUNITE HAS BEEN INSTALLED, IT IS TO BE KEPT CONTINUOUSLY DAMP FOR 14 DAYS TO ALLOW THE CONCRETE TO PROPERLY CURE.
- H ALL INTERIOR SURFACES OF THE POOL AND / OR SPA ARE TO BE COATED WITH A WATERPROOF SILICA PLASTER OR EQUIVALENT PLASTER COATING SPECIFIED BY THE CONTRACTOR.

**ATTENTION BUILDING OFFICIAL**

THIS DRAWING IS INVALID FOR PERMIT PURPOSES WITHOUT A WET STAMP AND A BLUE SIGNATURE OR IF THE DATE OF THE STAMP IS MORE THAN A YEAR OLD.

AUTHORIZED SIGNATURES:  
JAMEY D. WYLIE, S.E.  
NICHOLAS FAHRNEY, S.E.

DocuSigned by:



4/6/2023

**PELTON WYLIE + FAHRNEY  
ENGINEERING, INC**  
STRUCTURAL ENGINEERS  
2813 COFFEE ROAD, SUITE D1  
MIDESTO, CALIFORNIA 95355  
TEL: (209)575-9619 | WWW.PWF-ENG.COM

**ROBERT KING**  
22280 LONGWAY RD  
SONORA, CA

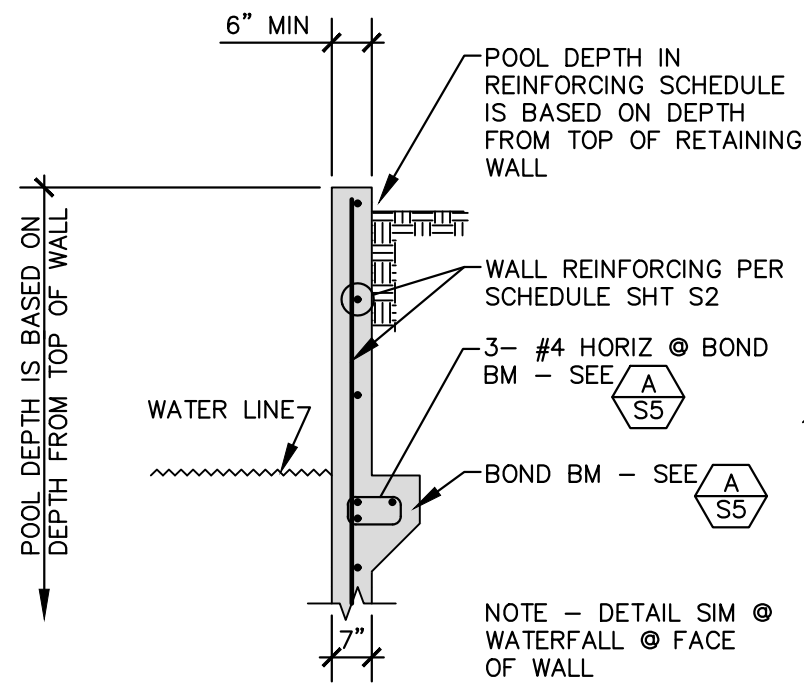
DATE: 1-12-23

DRAWN: SS

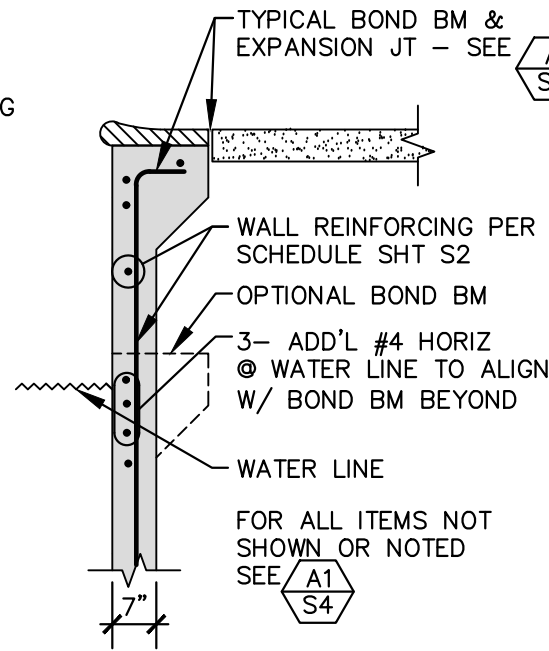
JOB: JFC012-19

SHEET

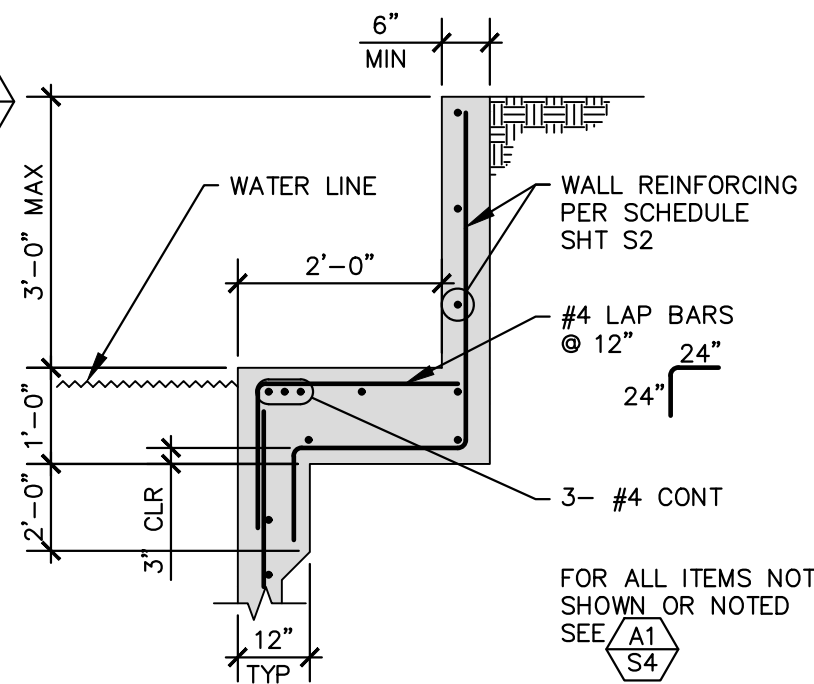
**S3**



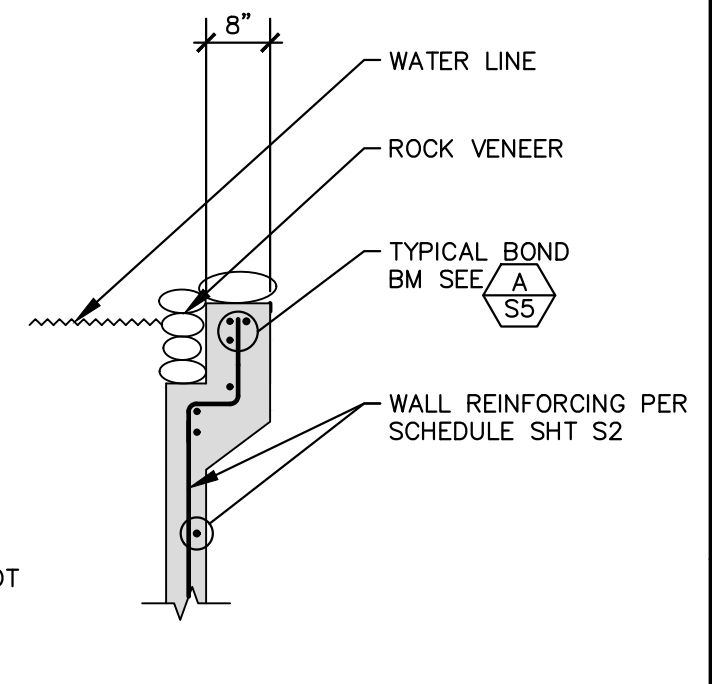
1 SECTION



2 SECTION



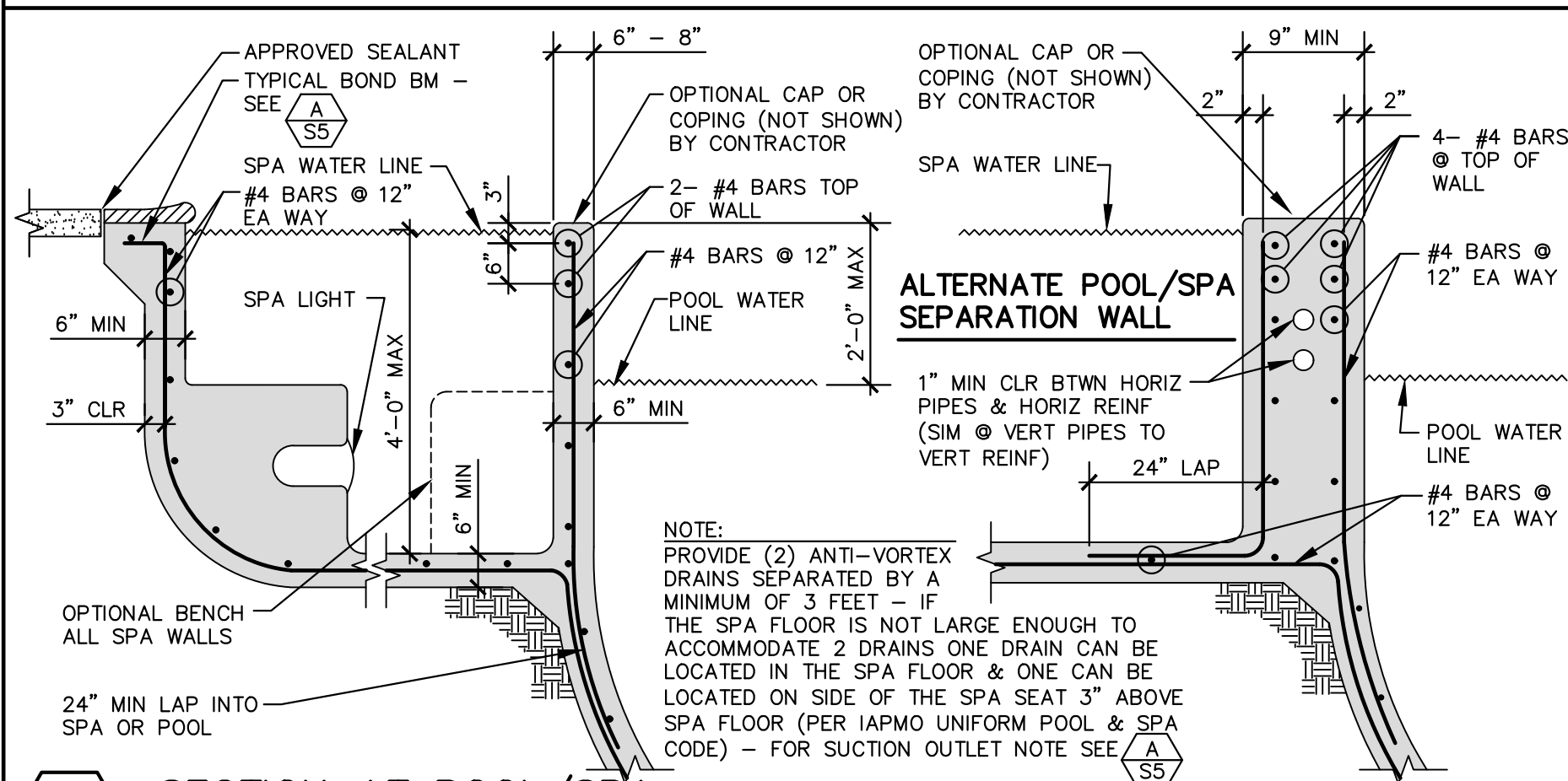
3 SECTION



4 SECTION

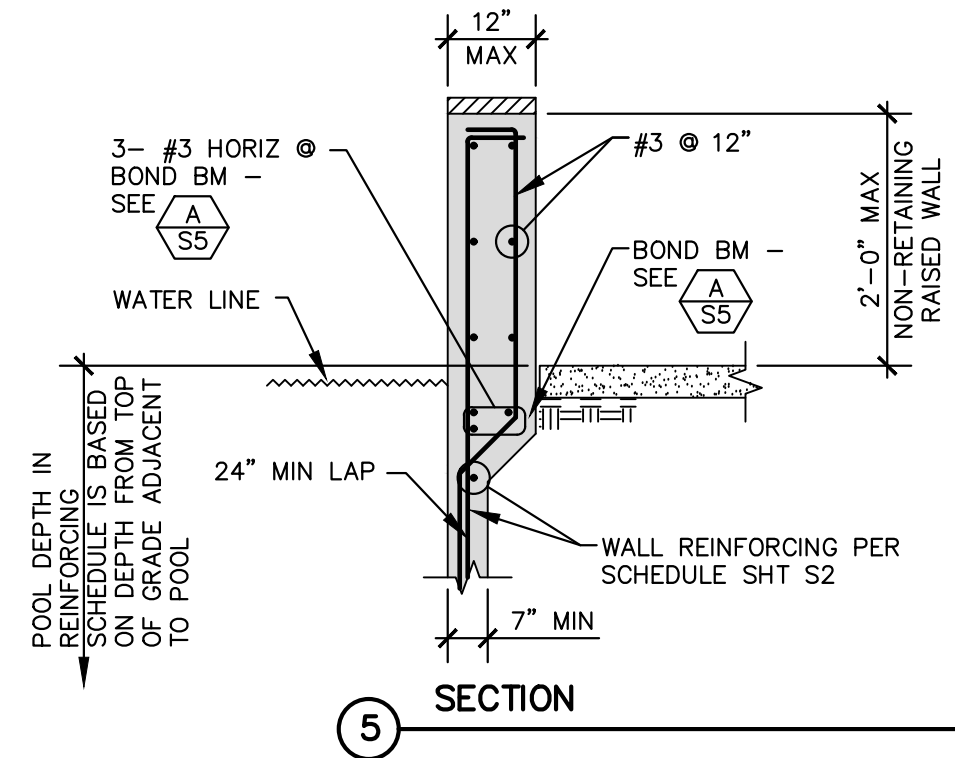
**A**  
**S4** SECTION AT RAISED BOND BEAM OR WALL

NO SCALE



**B**  
**S4** SECTION AT POOL/SPA

NO SCALE



5 SECTION

**ATTENTION BUILDING OFFICIAL**

THIS DRAWING IS INVALID FOR PERMIT PURPOSES WITHOUT A WET STAMP AND A BLUE SIGNATURE OR IF THE DATE OF THE STAMP IS MORE THAN A YEAR OLD.

AUTHORIZED SIGNATURES:  
JAMEY D. WYLIE, S.E.  
NICHOLAS FAHRNEY, S.E.

DocuSigned by:



4/6/2023

**PELTON WYLIE + FAHRNEY**  
**ENGINEERING, INC.**  
STRUCTURAL ENGINEERS  
2813 COFFEE ROAD, SUITE D1  
MIDWESTO, CALIFORNIA 95355  
TEL: (209)575-9619 | WWW.PWF-ENG.COM

**ROBERT KING**  
22280 LONGWAY RD  
SONORA, CA

DATE: 1-12-23

DRAWN: SS

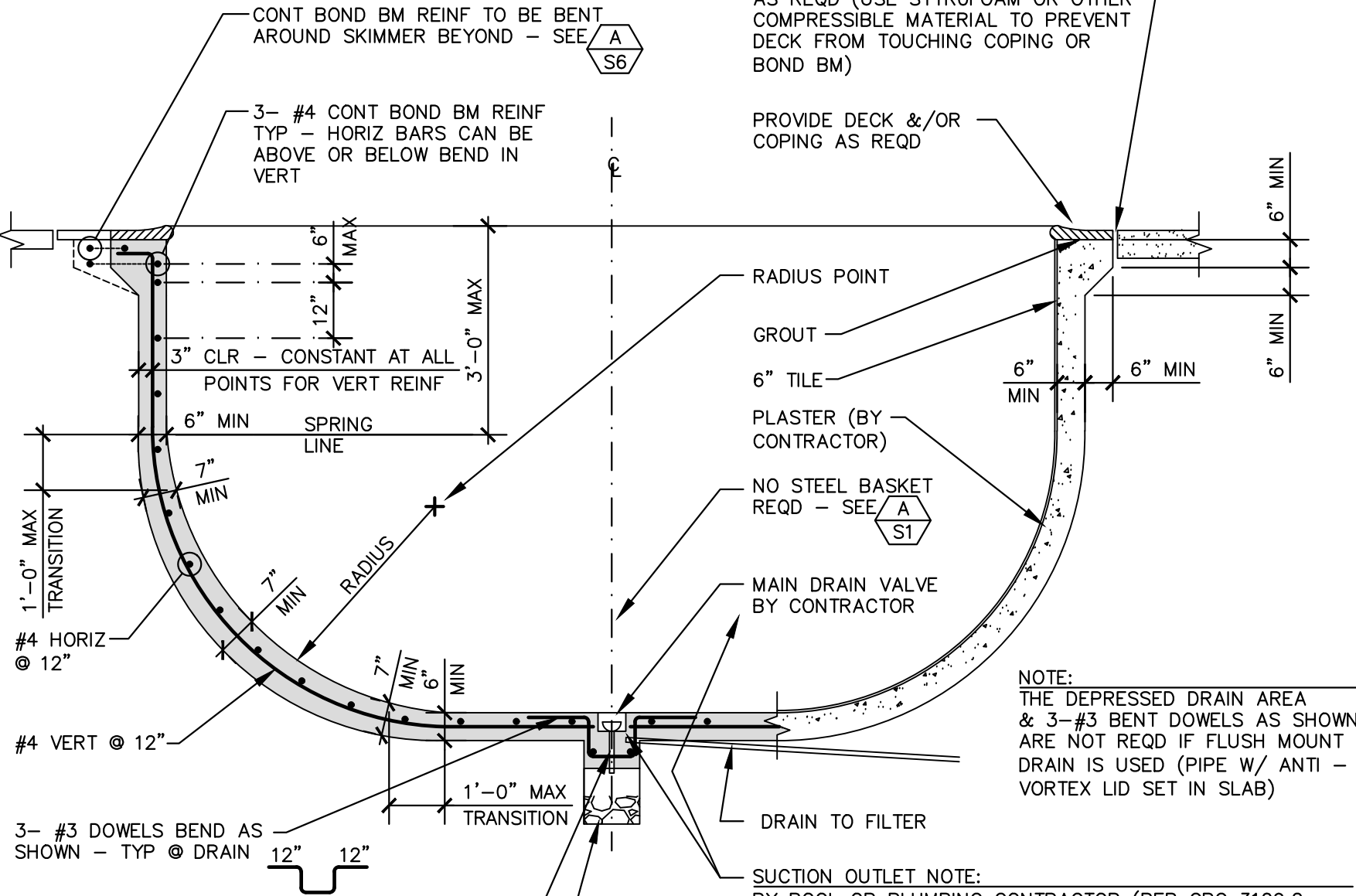
JOB: JFC012-19

SHEET

**S4**

**BOND BEAM NOTES:**

- BOND BEAM: VERTICAL BARS TO HOOK INTO BOND BEAM OVER OR UNDER BOND BEAM HORIZONTAL REINFORCING - TYPICAL.
- IF POOL LENGTH IS GREATER THAN 50' USE 4- #4 BARS IN BOND BEAM



HYDROSTATIC RELIEF VALVE (HAYWARD SP-1056 OR SP-1057 WITH COLLECTOR TUBE OR EQUIVALENT HYDROSTATIC RELIEF SYSTEM BY CONTRACTOR)  
 COARSE GRAVEL OR CRUSHED ROCK SUMP

PROVIDE HYDROSTATIC RELIEF VALVE & ROCK SUMP WHEN POOL IS CONSTRUCTED IN AREA OF HIGH WATER TABLE TO PREVENT POOL FROM "FLOATING" OUT OF GROUND WHEN POOL IS INTENTIONALLY OR ACCIDENTALLY EMPTIED

PROVIDE EXPANSION JOINT & SEALANT AS REQD (USE STYROFOAM OR OTHER COMPRESSIBLE MATERIAL TO PREVENT DECK FROM TOUCHING COPING OR BOND BM)

OPTION: CONTRACTOR TO USE OTHER PREFERRED METHOD TO REDUCE CRACKING DUE TO SHRINK/SWELL CYCLE OF EXPANSIVE SOIL

PROVIDE DECK &/OR COPING AS REQD

NOTE: THE DEPRESSED DRAIN AREA & 3-#3 BENT DOWELS AS SHOWN ARE NOT REQD IF FLUSH MOUNT DRAIN IS USED (PIPE W/ ANTI-VORTEX LID SET IN SLAB)

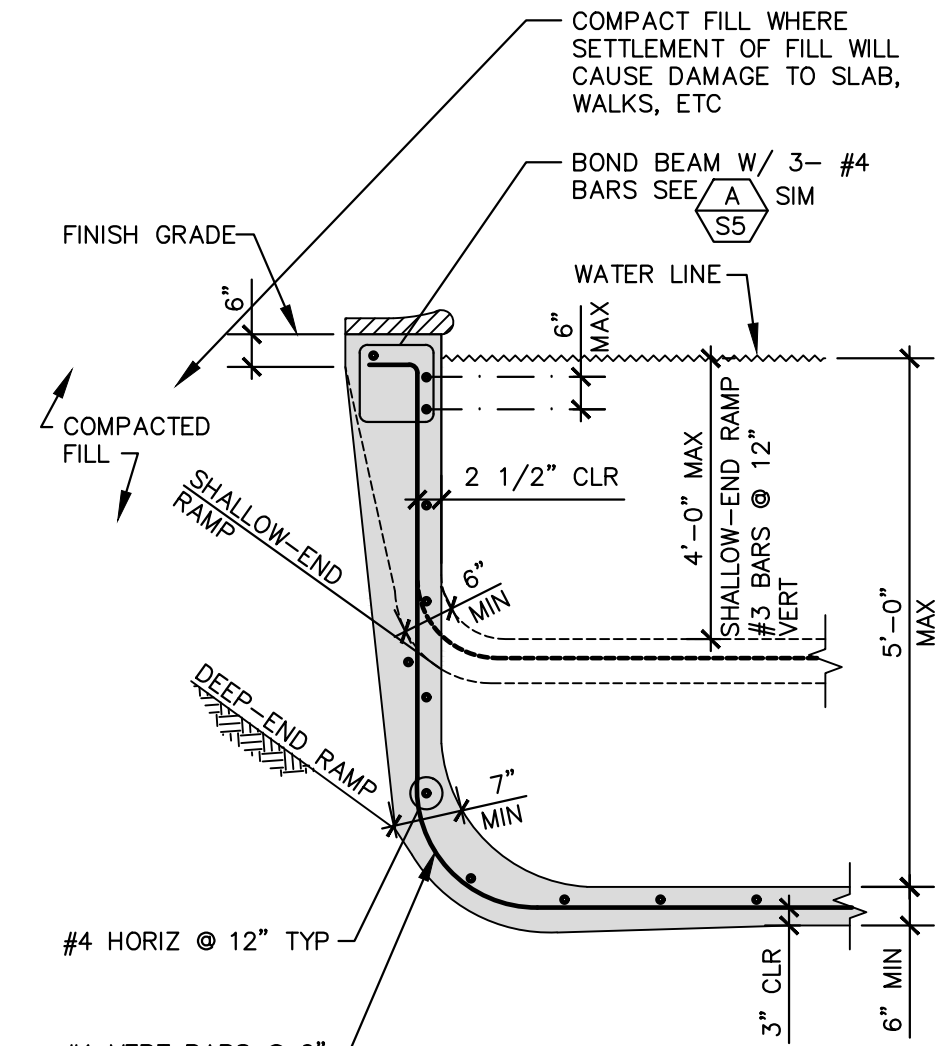
SUCTION OUTLET NOTE: BY POOL OR PLUMBING CONTRACTOR (PER CBC 3109.2 (115928)):

- 1 THE SWIMMING POOL AND SPA SHALL HAVE 2 CIRCULATION OUTLETS PER PUMP THAT SHOULD BE HYDRAULICALLY BALANCED AND SEPARATED BY A MINIMUM OF 3 FEET IN ANY DIRECTION BETWEEN SUCTION OUTLETS, OR DESIGNED TO USE ALTERNATIVES TO SUCTION OUTLETS.
- 2 SUCTION OUTLETS SHALL BE COVERED WITH ANTIENTRAPMENT GRATES PER ANSI/APSP-16 OR SIMILAR PROTECTIVE DEVICES SHALL BE OF SHAPE, AREA AND ARRANGEMENT THAT WOULD PREVENT PHYSICAL ENTRAPMENT AND WOULD NOT POSE ANY SUCTION HAZARD TO BATHERS.

**A** TYPICAL SECTION THRU POOL (DEEP END)

**A**  
**S5**

NO SCALE



#4 HORIZ @ 12" TYP

#4 VERT BARS @ 6" WHERE RAMP 4'-0" DEEP & BELOW

NOTE: EXTRA REINFORCING TO EXTEND 24" MIN EACH SIDE OF RAMP

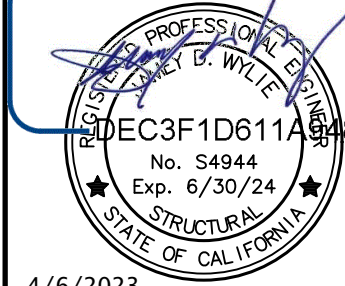
**B** SECTION AT CONSTRUCTION RAMP  
**S5** NO SCALE

**ATTENTION BUILDING OFFICIAL**

THIS DRAWING IS INVALID FOR PERMIT PURPOSES WITHOUT A WET STAMP AND A BLUE SIGNATURE OR IF THE DATE OF THE STAMP IS MORE THAN A YEAR OLD.

AUTHORIZED SIGNATURES:  
 JAMEY D. WYLIE, S.E.  
 NICHOLAS FAHRNEY, S.E.

**DocuSigned by:**



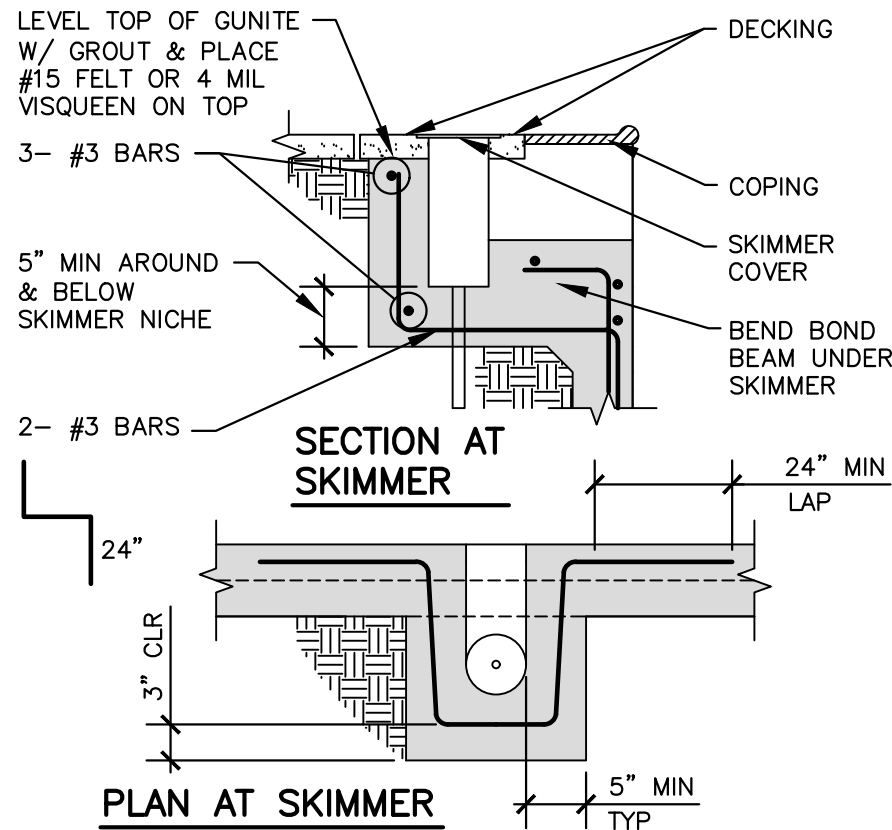
4/6/2023

PELTON WYLIE + FAHRNEY  
 ENGINEERING, INC.  
 STRUCTURAL ENGINEERS  
 2813 COFFEE ROAD, SUITE D1  
 M.D.E.S.T.O., CALIFORNIA 95355  
 TEL: (209)575-9619 | WWW.PWF-ENG.COM

**ROBERT KING**  
 22280 LONGWAY RD  
 SONORA, CA

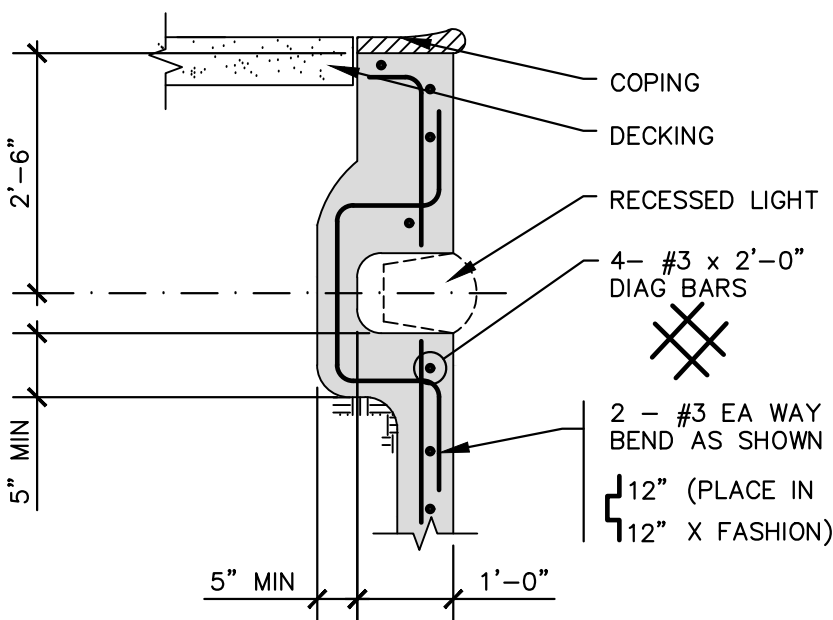
DATE: 1-12-23  
 DRAWN: SS  
 JOB: JFC012-19  
 SHEET

**S5**



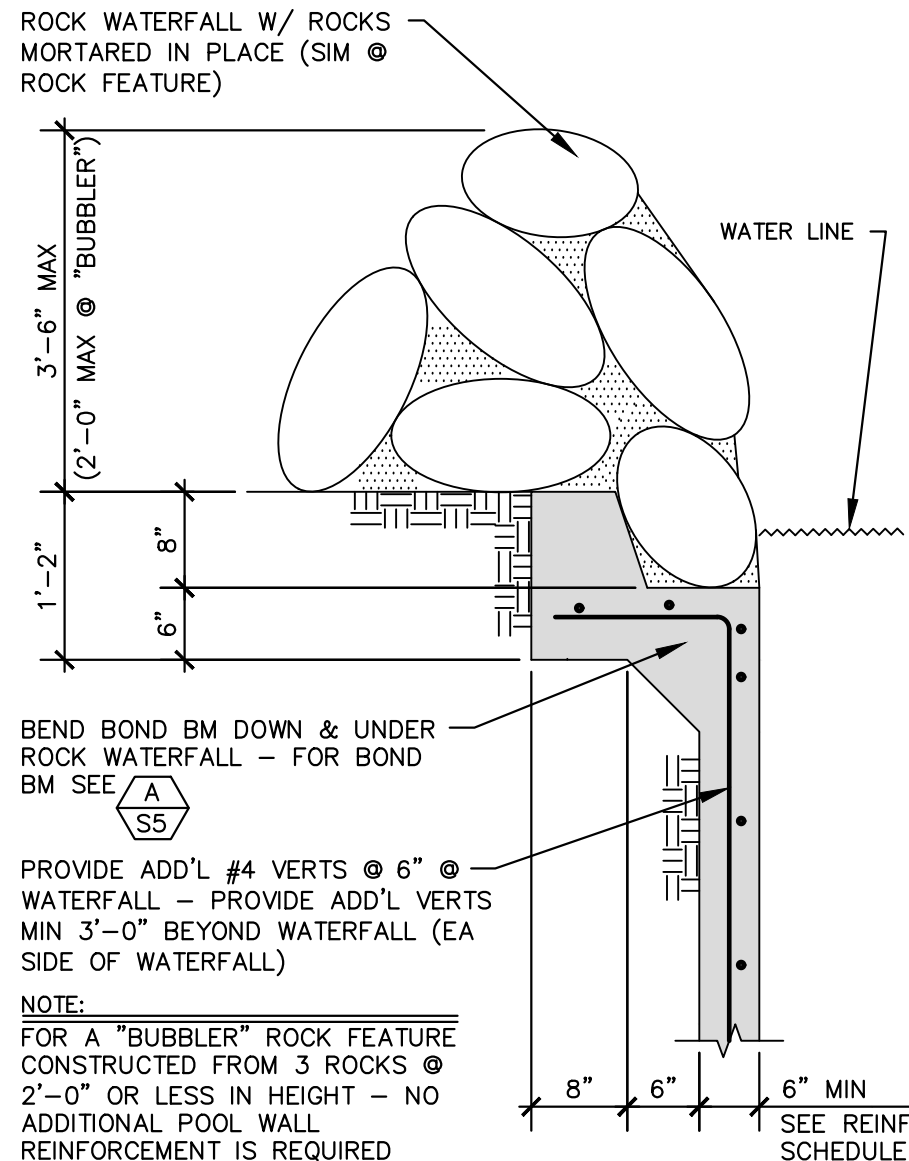
**A**  
**S6** SKIMMER DETAIL

NO SCALE



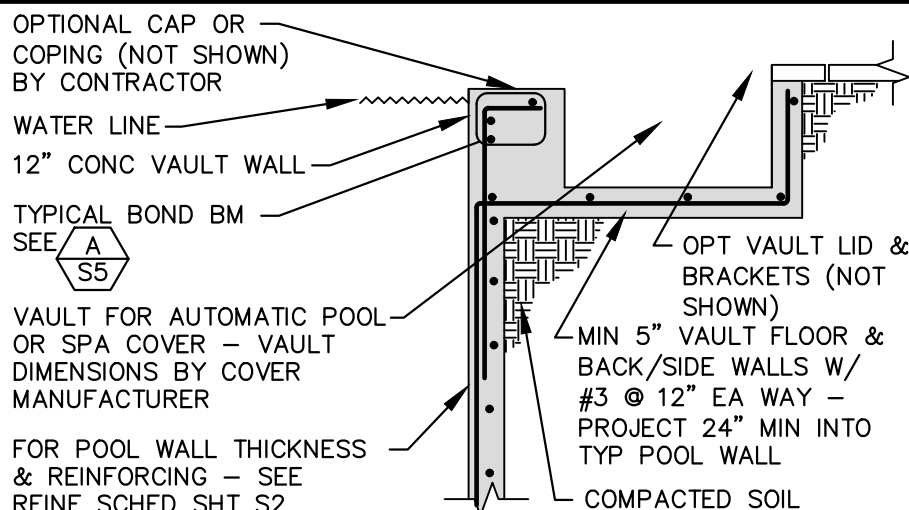
**B**  
**S6** LIGHT NICHE  
(NOT REQUIRED AT LED LIGHTING)

NO SCALE



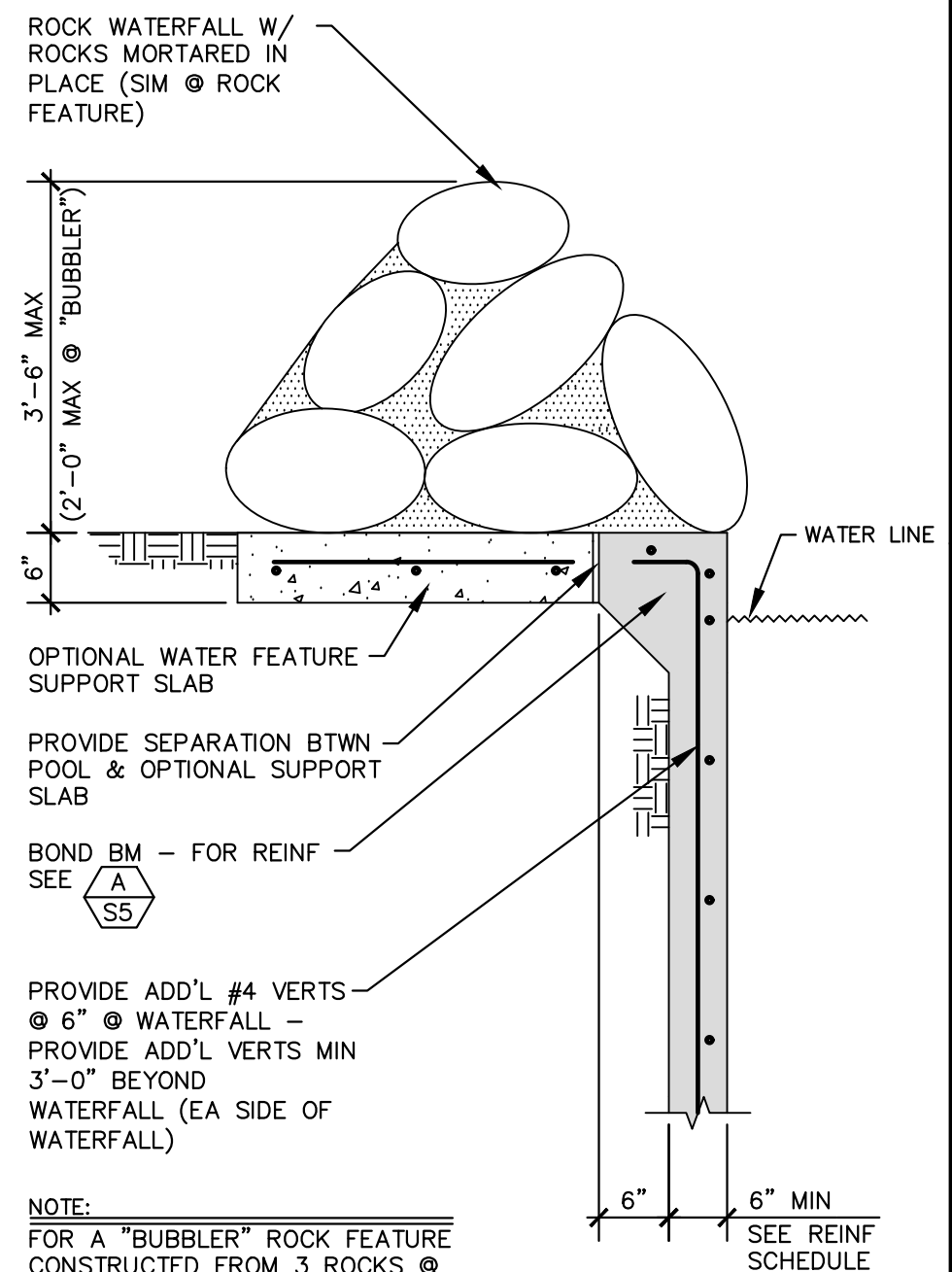
**C**  
**S6** SECTION AT WATERFALL / ROCK FEATURE

NO SCALE



**E**  
**S6** SECTION AT AUTOMATIC POOL COVER

NO SCALE



**D**  
**S6** SECTION AT WATERFALL / ROCK FEATURE

NO SCALE

**ATTENTION BUILDING OFFICIAL**

THIS DRAWING IS INVALID FOR PERMIT PURPOSES WITHOUT A WET STAMP AND A BLUE SIGNATURE OR IF THE DATE OF THE STAMP IS MORE THAN A YEAR OLD.

AUTHORIZED SIGNATURES:  
JAMEY D. WYLIE, S.E.  
NICHOLAS FAHRNEY, S.E.

DocuSigned by:



4/6/2023

**PELTON WYLIE+FAHRNEY**  
**ENGINEERING, INC.**  
STRUCTURAL ENGINEERS  
2813 COFFEE ROAD, SUITE D1  
MIDWESTO, CALIFORNIA 95355  
TEL: (209)575-9619 | WWW.PWF-ENG.COM

**ROBERT KING**  
22280 LONGWAY RD  
SONORA, CA

DATE: 1-12-23  
DRAWN: SS  
JOB: JFC012-19  
SHEET

**S6**